

DATA SHEET

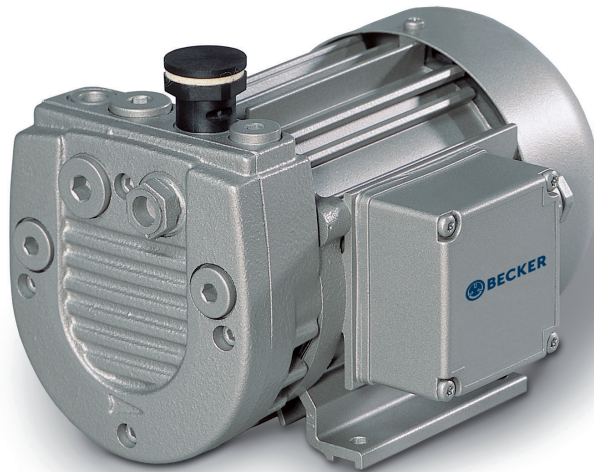
VT 4.8

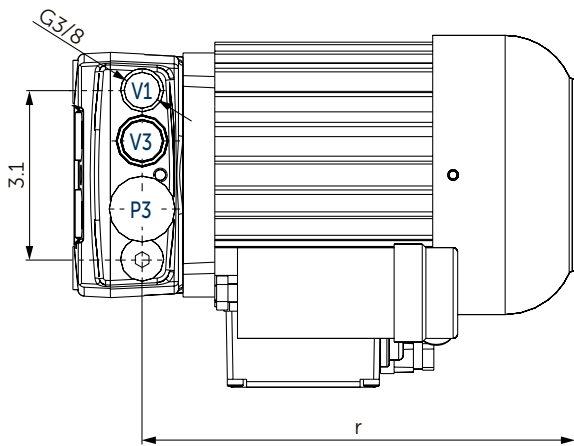
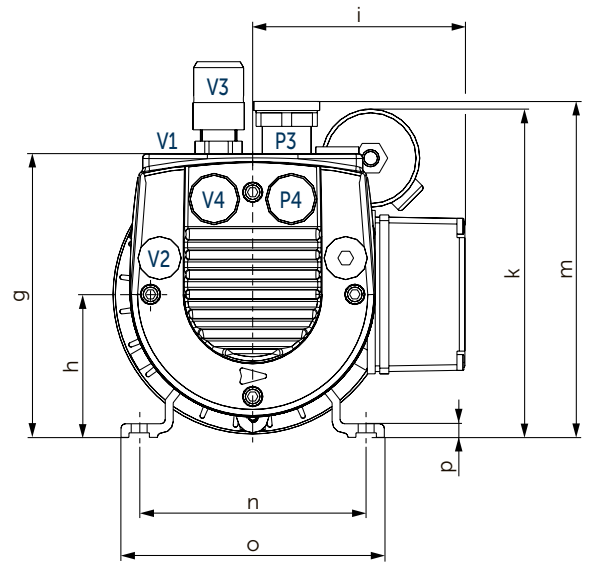
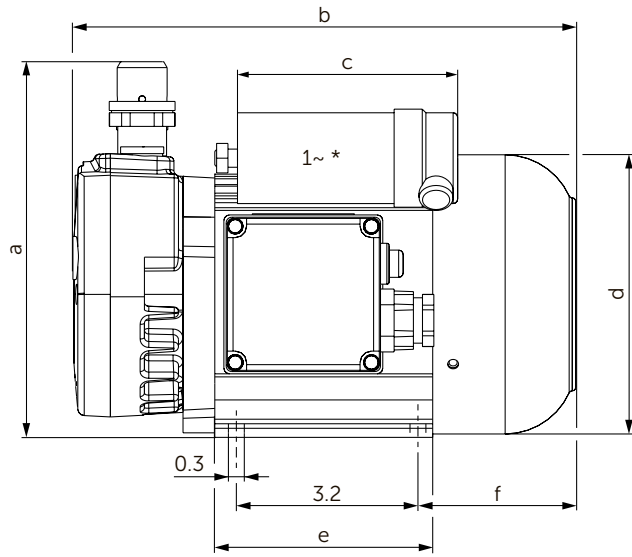
ROTARY VANE VACUUM PUMPS

oil-free

air-cooled

MAKE IT BECKER.





- V1 (V2) Vacuum connection (G3/8)
- V3 (V4) Vacuum regulating valve
- P3 (P4) Blow-off valve
- (XX) Alternative

- * The size and position of the capacitor can change with changed voltage / frequency.
- Including integrated suction air filter
- The motor illustration may vary
- Dimensions in inch

Motors		inch														
#		a	b	c	d	e	f	g	h	i	k	m	n	o	p	r
3~	01	7.1	9.9	-	5.6	4.0	3.3	5.5	2.8	4.0	-	6.4	4.4	5.4	0.27	8.6
3~	02+03	6.8	9.2	-	4.9	3.9	2.7	5.2	2.5	3.7	-	6.1	3.9	4.6	0.24	7.8
1~	01	6.8	10.0	≈3.7	4.9	4.6	3.5	5.2	2.5	3.7	5.6	6.1	3.9	4.6	0.24	7.8

Suction air rate		Vacuum		Emission sound pressure level ¹⁾		Weight with motor ²⁾
CFM		Torr		dB(A)		lbs
50 Hz	60 Hz	50 & 60 Hz		50 Hz	60 Hz	
4.7	5.4	112.5		58	61	≈20.9

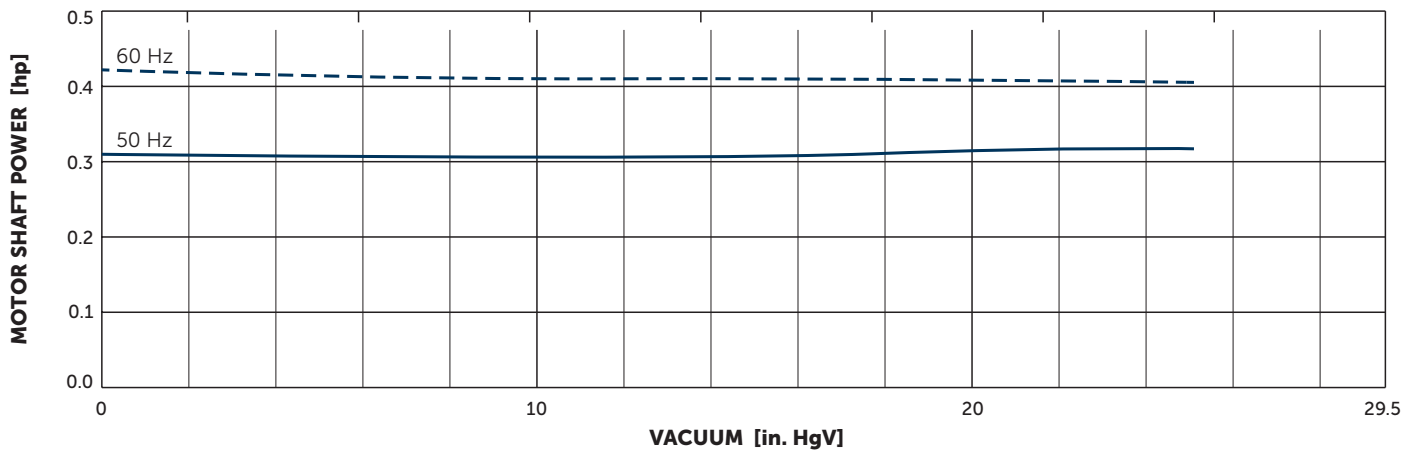
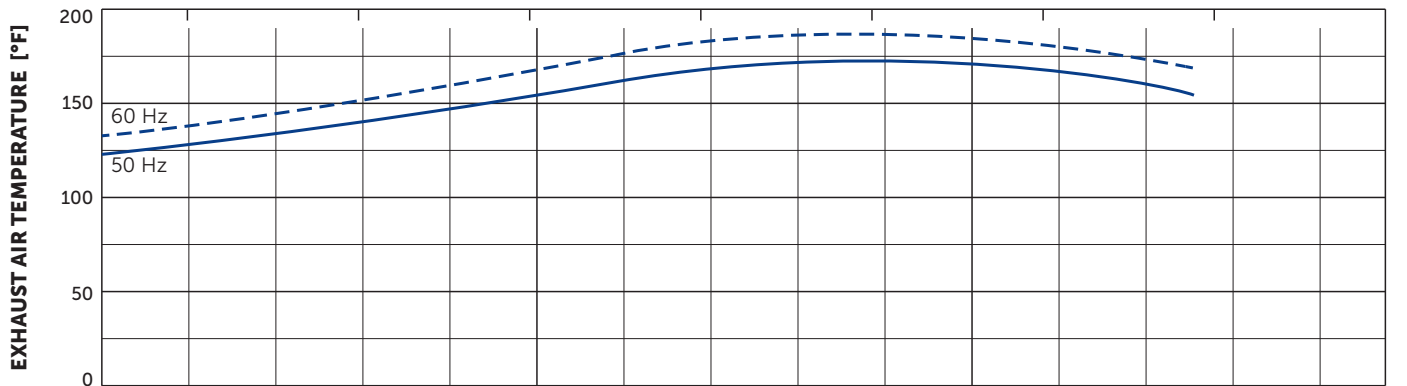
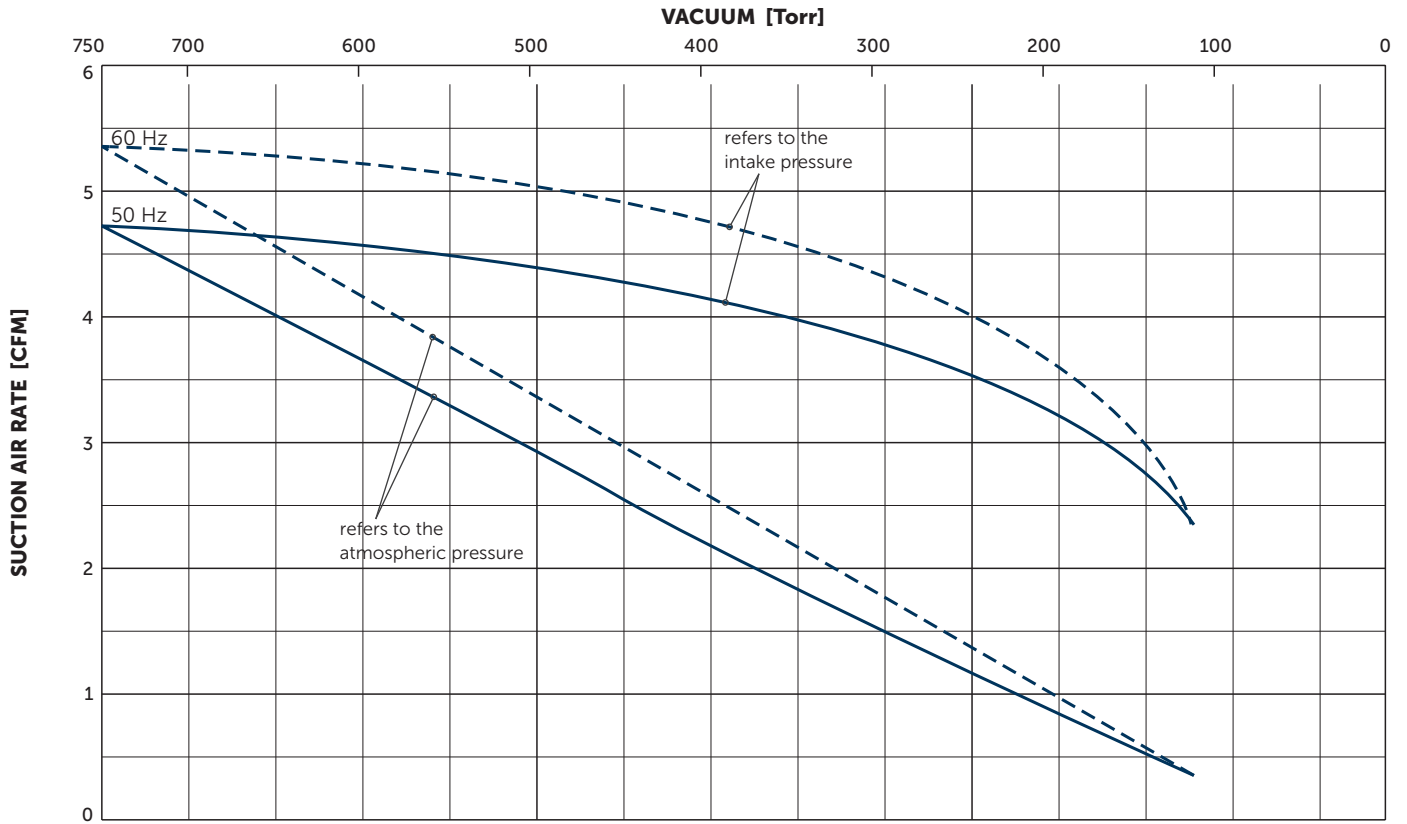
¹⁾ According to DIN EN ISO 3744 (KpA = 3 dB(A)), 39.4 inch distance, at medium load, both connection sides piped

²⁾ Depending on the motor

3~ Motor											
#	50 Hz				60 Hz				Version		
	hp	V	rpm	A	hp	V	rpm	A			
01	0.5	Δ230/Y400	IE2	2920	2.30/1.33	0.6	Δ265/Y460	IE3	3515	2.13/1.23	
						0.5	Δ230/Y400	IE3	3480	1.90/1.10	IP55 • ISO F • bimetal
						0.6	Δ208/Y360	IE4	3455	1.90/1.10	
02	0.5	175–260/ 300–450		2800	2.35/1.35	0.6	202–300/ 350–520		3150	2.40/1.40	IP54 • ISO F
03	0.5	175–260/ 300–450		2800	2.35/1.36	0.6	202–300/ 350–520		3150	2.40/1.40	UL • CSA IP54 • ISO F

1~ Motor										
#	50 Hz				60 Hz				Version	
	hp	V	rpm	A	hp	V	rpm	A		
01	0.5	230 ±10%	2700	3.9	0.6	230 ±10%	3200	3.4	IP54 • ISO F • bimetal 10 μF (450 V)	

- Current consumption and rotation speed may vary. Tolerance in each case -1.5/+2%

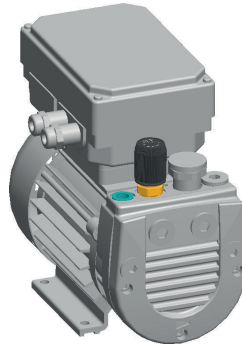


Reference data (atmosphere): 0 in. HgV, 68°F; Tolerance: ±10%

+ VARIANTS AND ACCESSORIES

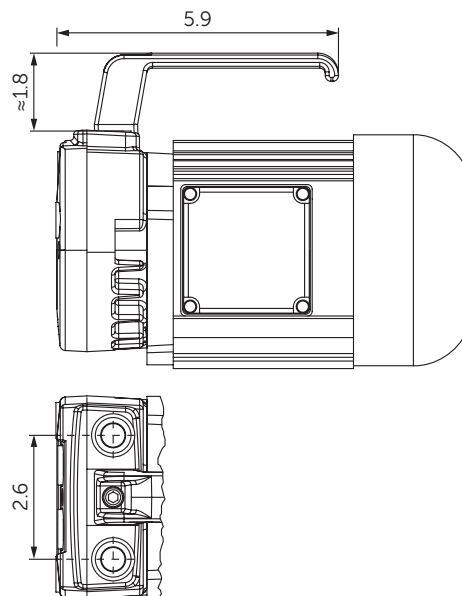
VT 4.8 DC¹⁾

- with 24V DC motor



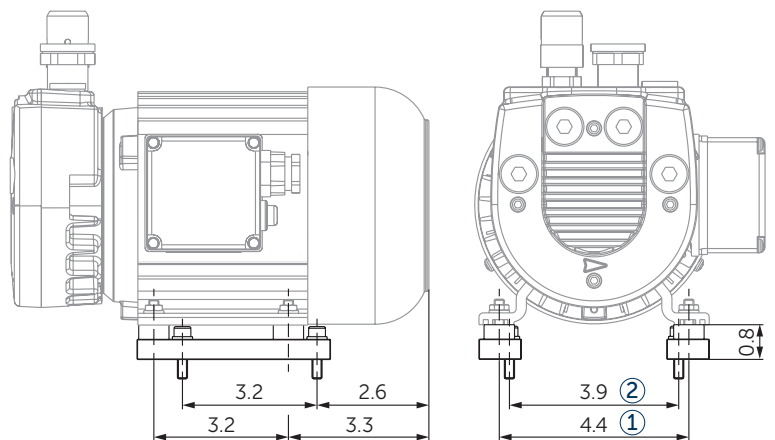
VT 4.8/0-28

- with handle



PEDESTAL ADAPTER T4.8-0-24.1

- for VT 4.8 with IE motor for replicating the pedestal bore pattern of the wide range motor
- order number: 57040027200
- scope of delivery:
 - 2 pedestal adapters
 - 4 rubber buffers with threaded pins M6
 - 4 nuts M6
 - 4 hexagon socket screws M6x25
 - 8 washers



- 1 pedestal dimension of IE motor
- 2 corresponds to pedestal size of wide-range motor

¹⁾ See separate data sheet

▪ Dimensions in inch – For other dimensions, see the figure on page 2.



MAKE IT BECKER.